



**PREFORMED** LINE PRODUCTS  
The connection you can count on.

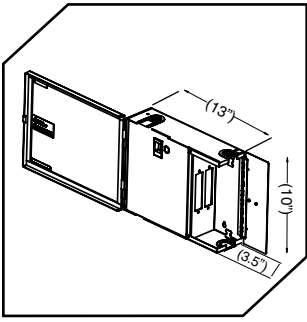
## COYOTE® AXCESS SOLUTIONS™ PRE-TERMINATED WALL & RACK MOUNT CABINETS



 COMMUNICATIONS  ENERGY  SPECIAL INDUSTRIES  SOLAR

**COYOTE**  
FIBER OPTICS





## PLP Fiber Optic Products

# COYOTE® PRE-TERMINATED CABINETS CUSTOMIZED TO MEET YOUR NEEDS

### Features & Benefits

- Ready for splicing right out of the carton
- Cabinets are made from rugged 16 gauge steel
- Durable powder-coat finish
- Available in two colors - almond or black
- Accepts craft-friendly COYOTE splice trays
- Integral fiber storage
- High-density splicing and patching in single cabinet
- Assembled to your exact specifications
- 100% tested and labeled
- Designed to provide substantial labor savings
- UPC or APC fiber polishes
- Color coded pigtailed



**Pre-terminated solution shown above (see following pages to order your pre-terminated solutions)**



### Wall Mount Cabinets

- Provides protected fiber splicing and connectivity
- Lockable inner door secures the splicing compartment
- Each cabinet may be ordered empty or pre-terminated to your exact specification
- Installation and mounting hardware included

Wall Mount Cabinets (Empty)				
Catalog Number	Description	Height (mm)	Width (mm)	Depth (mm)
WDC2_*	Wall Mount Cabinet up to 24 Fiber Connections and Splices	10 (254)	13 (330)	3.5 (89)
WDC4_*	Wall Mount Cabinet up to 48 Fiber Connections and Splices	14 (356)	13 (330)	3.5 (89)
WDC8_*	Wall Mount Cabinet up to 96 Fiber Connections and Splices	17 (432)	13 (330)	5.5 (140)
WDC12_*	Wall Mount Cabinet up to 144 Fiber Connections and Splices	12 (305)	17 (432)	11.0 (279)

\* Wall Mount Cabinets A for Almond B for Black

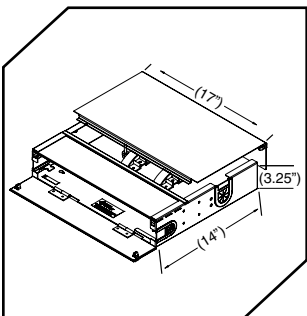
### Rack Mount Cabinets

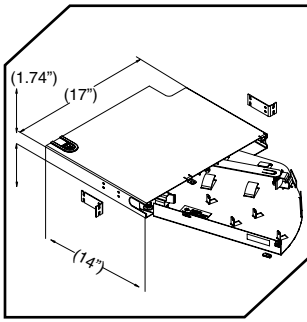
- Universal mounting brackets to fit 19" or 23" racks
- Clear front door and access panels are removable for easy entry
- Key hole slots for optional wall mounting
- Each cabinet may be ordered empty or pre-terminated to your exact specification



Rack Mount Cabinets (Empty)				
Catalog Number	Description	Rack Units	Width (mm)	Depth (mm)
RDC2_*	Rack Mount Cabinet up to 12 Fiber Connections and Splices	1	17 (432)	14 (356)
RDC3_*	Rack Mount Cabinet up to 36 Fiber Connections and Splices	2	17 (432)	14 (356)
RDC6_*	Rack Mount Cabinet up to 72 Fiber Connections and Splices	2	17 (432)	14 (356)
RDC12_*	Rack Mount Cabinet up to 144 Fiber Connections and Splices	3	17 (432)	14 (356)
RDC24_*	Rack Mount Cabinet up to 288 Fiber Connections and Splices	7	17 (432)	14 (356)

\* Rack Mount Cabinets A for Almond B for Black





## PLP Fiber Optic Products

### COYOTE® PASSIVE OPTICAL COMPONENTS

#### Adapter Modules

Modular Plates fit any COYOTE cabinet and offer the ultimate in design flexibility.

- 6-port, 8-port and 12-port snap-in Adapter Plates
- Precision ceramic alignment sleeves

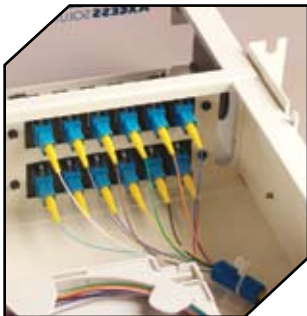


Adapter Modules			
Catalog Number	Connector	Adapters	Sleeve
6SMSC	SC	6	Ceramic
6SCAPC	SC/APC	6	Ceramic
12SMDSC	SC	12 (6 Duplex)	Ceramic
8SMSC	SC	8	Ceramic
6SMST	ST	6	Ceramic
8SMST	ST	8	Ceramic
6SMFC	FC	6	Ceramic
8SMFC	FC	8	Ceramic
6FCAPC	FC/APC	6	Ceramic
6SMLC	LC	6	Ceramic
12SMLC	LC	12 (6 Duplex)	Ceramic
600	Blank Plate	-	-

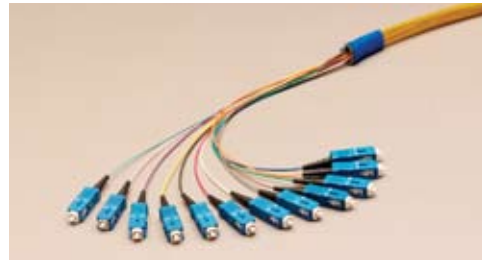
#### Pigtail Cable Assemblies

- Six or twelve color-coded 900 Micron SM fiber bundles, in yellow braided sleeve
- Ribbon fan outs
- Jacketed cable stubs also available

Contact PLP for additional options



	Factory Polishes	
	Return Loss	Insertion Loss
UPC	-55 dB min	0.2 typ 0.3 max
APC	-65 dB min	0.3 max



Pigtail Cable Assemblies - Bundled 900 Micron Fibers in Yellow Sleeve		
Catalog Number	Connector	Fiber Count
P6SCU_*	SC/UPC	6
P12SCU_*	SC/UPC	12
P6SCA_*	SC/APC	6
P12SCA_*	SC/APC	12
P6ST_*	ST	6
P12ST_*	ST	12
P6FC_*	FC	6
P12FC_*	FC	12
P6LC_*	LC	6
P12LC_*	LC	12
* Cable length in meters		

#### Jumper Cable Assemblies

- High Performance Singlemode Fiber Optic Jumpers feature UPC or APC terminations
- 100% tested, for insertion and return loss and visually inspected
- 2mm or 3mm Jacketed Cables available



Jumper Cable Assemblies - 3 mm Jacketed	
Catalog Number	Connector
JSCU_*	SC/UPC
JSCA_*	SC/APC
JST_*	ST
JFC_*	FC
JLC_*	LC
* Cable length in meters	

Multimode components are available.  
Contact PLP for other options.

**COYOTE Splice Trays for single and ribbon fiber**



**PLP Fiber Optic Products**

**COYOTE® PASSIVE OPTICAL COMPONENTS**

**COYOTE Splice Trays**

**User friendly splice trays for all applications**

Five types of standard splice trays are available, four for single fiber splices and one for ribbon fiber splices.

These injection-molded trays have hinged, clear plastic covers for maximum fiber protection that still allows for visible inspection of the fibers.

A series of tabs along the tray perimeter are easily removed to simplify routing of the fiber. When replaced, they retain the fiber.

COYOTE Splice Trays	
Catalog Number	Description
*80807701	12 Count Low Profile Splice Tray Kit
80806033	12 Count Standard Splice Tray Kit
*8001127	36 Count Low Profile Splice Kit
80805514	36 Count Standard Splice Tray Kit
80805515	144 Count Ribbon Splice Tray with fixed slots

\*To increase splicing capacity by 50%, replace (2) standard trays with (3) low profile trays in any cabinet.

**Pre-terminated Cabinets**

**Ordering is as easy as 1-2-3!**

**When ordering standard COYOTE Pre-terminated Cabinets, follow these easy steps**

**1. Select the type of cabinet**

i.e.,: **RDC24A** \_\_ \_\_ Almond Rack Mount Cabinet with 24 slots for up to 288 connections (24 x 12)

**2. Select number of fiber adapters or ports**

i.e.,: **RDC24A96** \_\_ Loaded with 96 adapters (standard 6 port modules)

**3. Select fiber connector style and length of pigtails**

i.e.,: **RDC24A96SCU3** SMSC UPC polish 3 meter length Pigtails

Contact a PLP sales representative for assistance with other pre-terminated cabinet options.



**PREFORMED**  
LINE PRODUCTS

World Headquarters  
660 Beta Drive  
Cleveland, Ohio 44143

Mailing Address:  
P.O. Box 91129  
Cleveland, Ohio 44101

Telephone: 440.461.5200  
Fax: 440.442.8816  
Web Site: [www.preformed.com](http://www.preformed.com)  
E-mail: [inquiries@preformed.com](mailto:inquiries@preformed.com)

© 2008 Preformed Line Products  
Printed in U.S.A.  
CO-SS-1019-2  
10.08.2M